



Load Curves

30m														
		9.30	10	12	14	16	16.70	18	20	22	24	26	28	30
		4000	3680	2960	2450	2090	2000	1840	1630	1450	1310	1190	1090	1000
		Full 30m Jib folded out												
25m											m			
		10.10	12	14	16	18.24	20	22	24	25				
		4000	3200	2660	2280	2000	1800	1600	1450	1400				
		5m jib section removed reducing maximum jib length to 25m												
13m		m		Kg										
		12.45	12.80	4000	3890									
		17m jib section hydraulically folded back to reduce jib length to 13m												

4 fall rope operation
 4 fall or 2 fall rope operation



Speed of Mechanisms

HOISTING		m/min. kg						
			6	24	48	3	12	24
		2000	2000	1300	4000	4000	2600	
		CV-PS hp	3	12	14	3	12	14
		kW	2,2	8,8	10,3	2,2	8,8	10,3
TROLLEYING		m/min.	CV-PS hp			kW		
		20/40	1.5/3			1.1/2.2		
SLEWING		0.2-0.95 g/min	3.5 kgm			4.5		
Power Requirements								
MAINS ELECTRICITY		400V (+6%-10%) @ 50Hz			GENERATOR	Frequency Controlled 30KVA However we recommend using 40KVA Contactor Controlled 60KVA		
KVA		23KVA						

Subject to modification



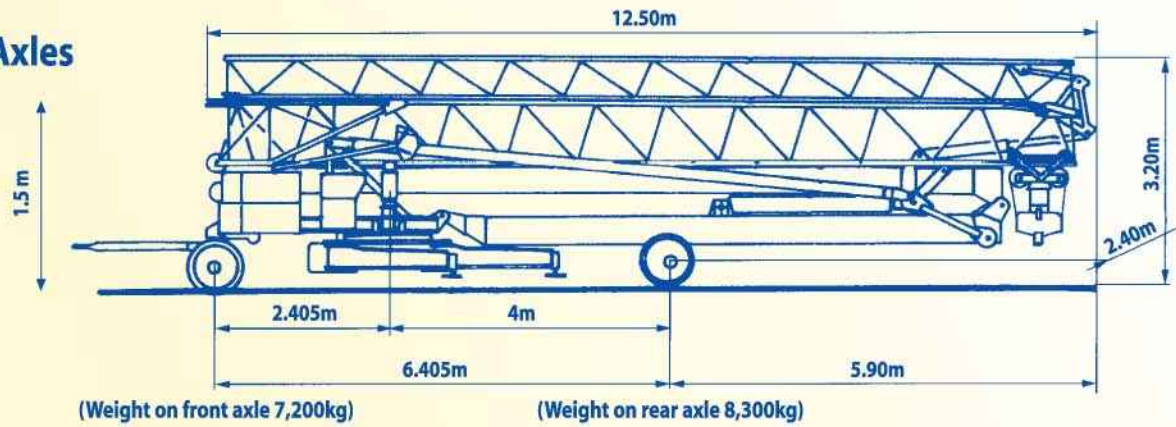
Weights

Dead Weight without Transport Axle & Permanent Ballast	10,700 Kg	BALLAST WEIGHTS	
Dead Weight with Transport Axles & 4,900kg Permanent Ballast	16,600 Kg	10 No. @ 1,440 Kg	14,400 Kg
		2 No. @ 1,100kg & 1 No. @ 2,700kg - Permanent	4,900 Kg
		Total	19,300 Kg



Mode of Transport

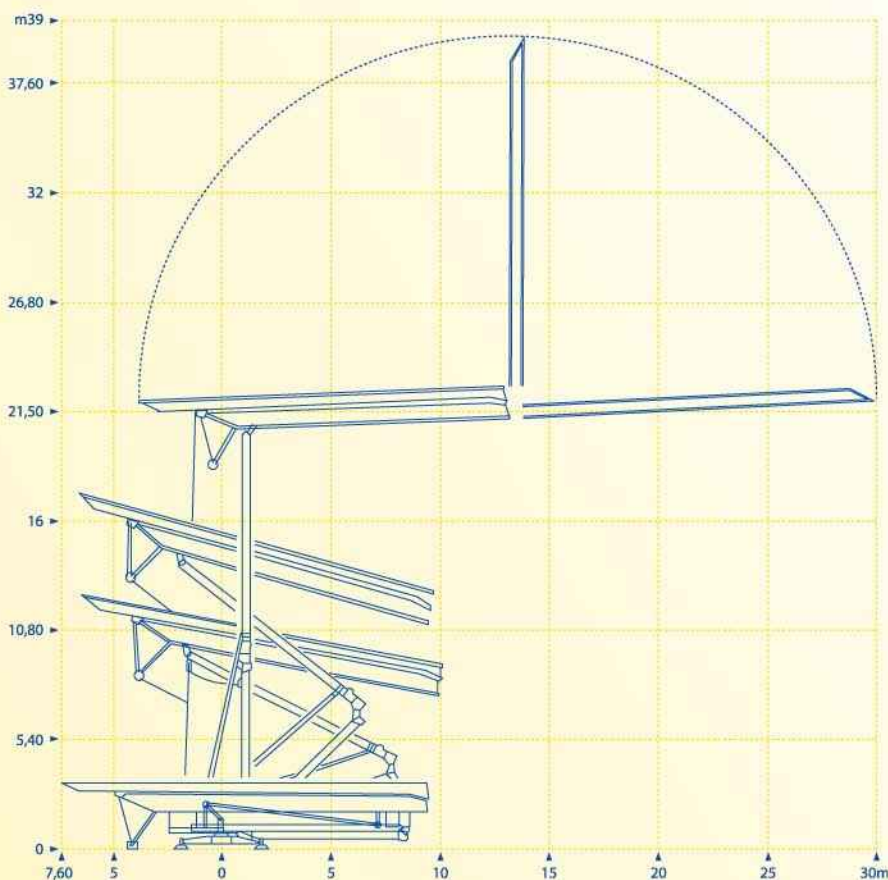
Site Axles



Suitable Low Loader Trailer



Erection Schematic





Model shown in picture may not be this actual model

On-site materials handling for the 21st Century



Head Office

Killygordon
Co. Donegal
Ireland
Tel: +353 (0)74 9149981
Fax: +353 (0)74 9149932
Email: info@mantiscranes.ie
Web: www.mantiscranes.ie

UK Office

Unit 11
Brockwell Court
Low Willington Industrial Estate
Crook
Co. Durham DL15 0UT
Lo Call: 0845 3098158
Tel: +44 (0)138 8748962
Fax: +44 (0)138 8748968
Email: info@mantiscranes.co.uk
Web: www.mantiscranes.co.uk

This commercial document is not legally binding. Changes may be made to the content without any notification.

'The Evolution in Crane Technology'